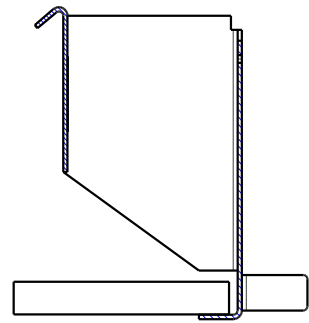


Rozmery v mm  
Maße in mm  
Dimensions in mm

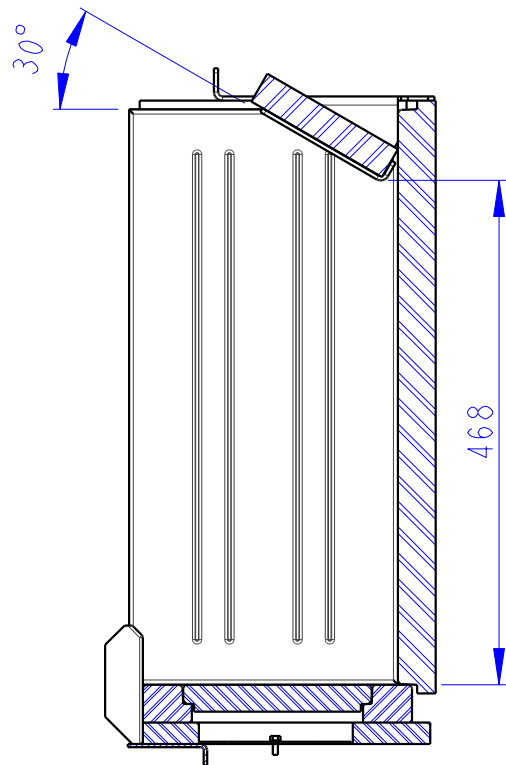
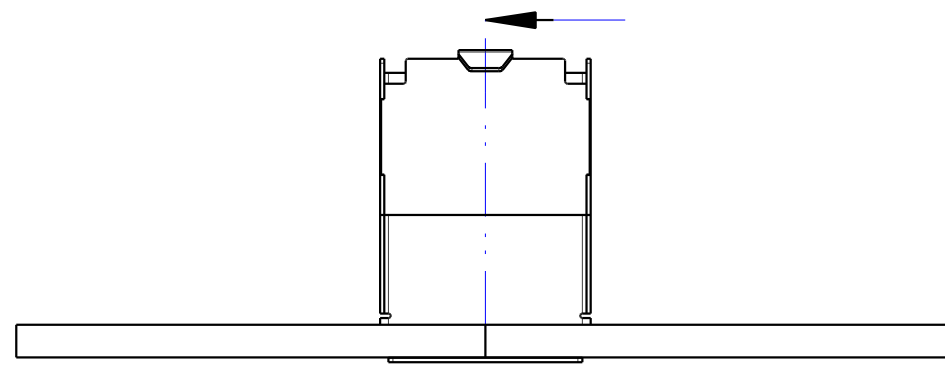
12LH TOP01(02) - 210S

TOP01 - 87,3 kg  
TOP02 - 74,5 kg

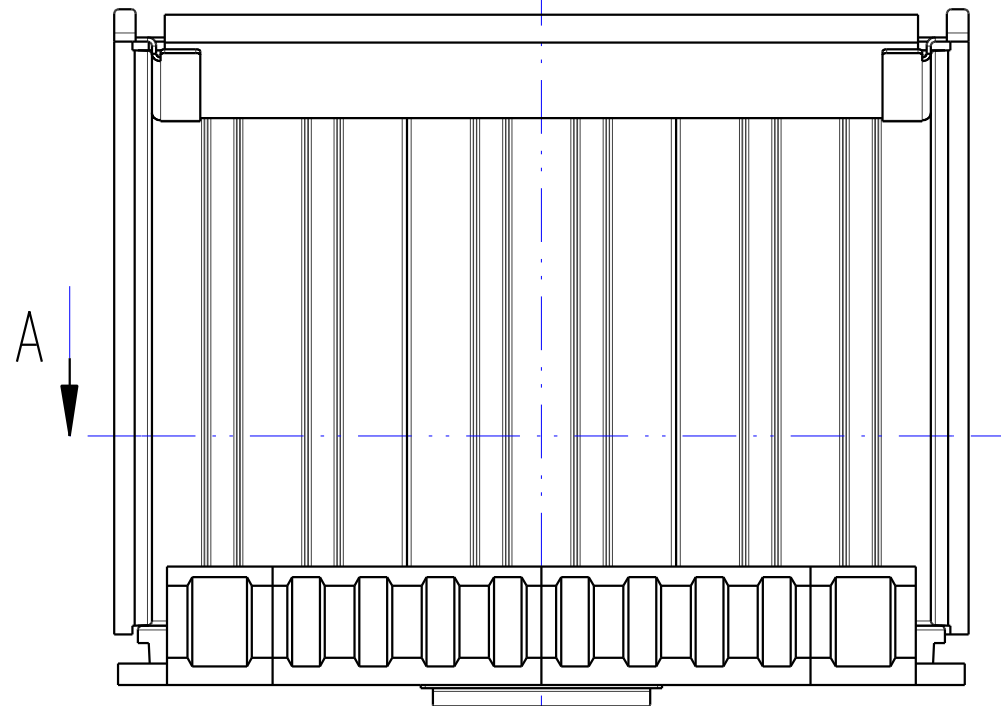
B - B



B



A



A

B

A - A

