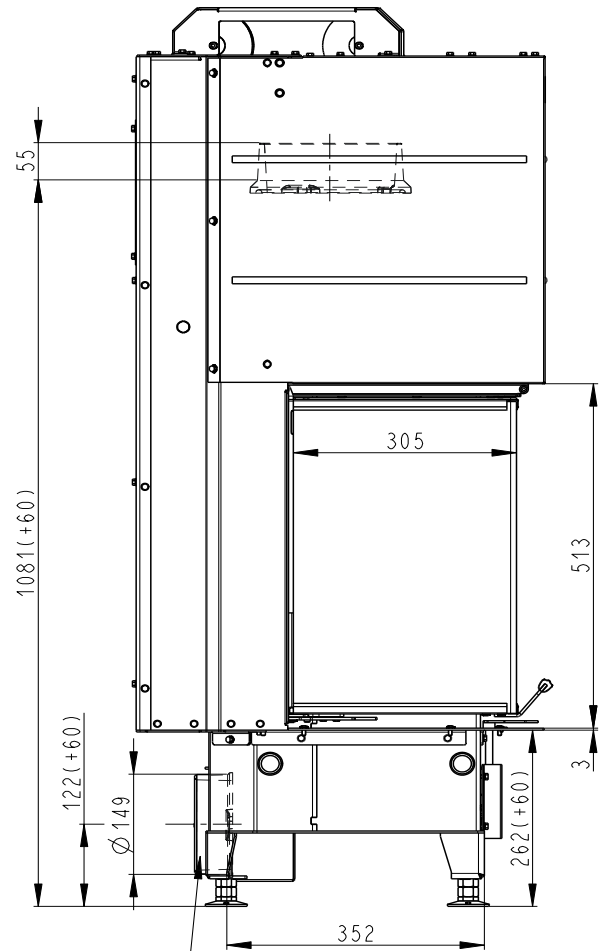
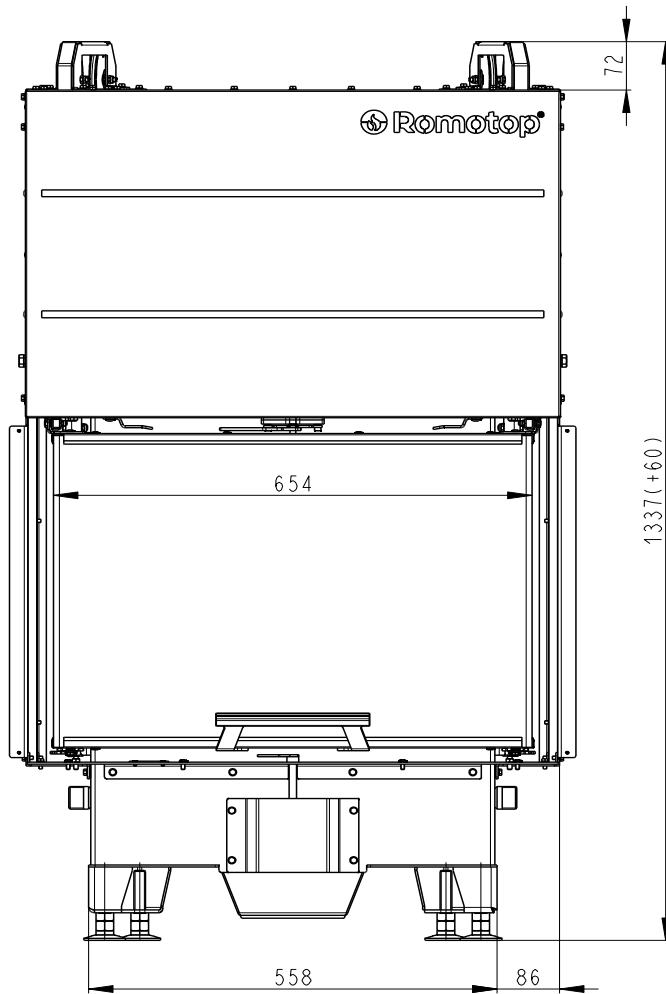
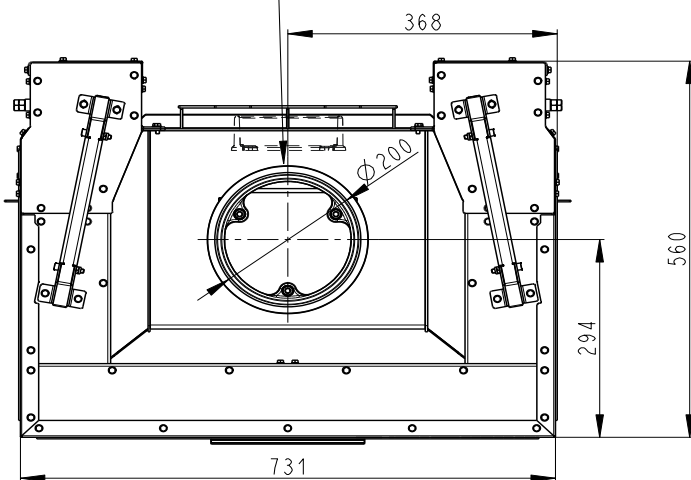


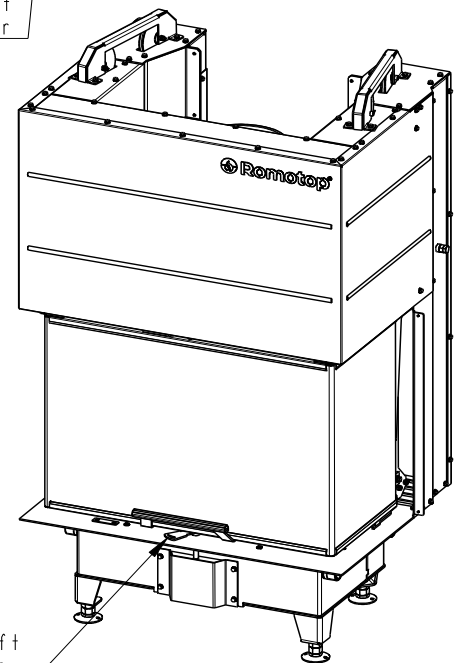
HEAT C 2g L 65.51.31.01 (21)



Cast iron spigot
Der gusseiserne Rauchabgang



Central air inlet
Zentralluftzufuhr



Primärluft und Sekundärluft
Primary and secondary air

Artikl	HC2LG 01 (21)
--------	---------------

General data

Nominal heat output	kW	7,8
Efficiency	%	82,90
Mass of the test fuel fired hourly	kg/h	2,2
Dry flue gases mass flow	g/s	6,9
Mean flue gas temperature	°C	229
Flue draught	Pa	12
Weight	kg	210
CO ₂	%	9,35

Recommended values

Reg.output	kW	4 – 10
Max. mass of the test fuel fired hourly	kg/h	4,51
Min. cross section of convect air inlet for nominal output	cm ²	900
Min. cross section of convect air outlet for nominal output	cm ²	1070
Combustion air requirement	m ³ /h	23,6
Flue gas connector diameter	mm	150 - 200

Meets requirement limit values for

EN 13 229	•
BImSch V 1	•
BImSch V 2	•
DIN plus	•
15a B-VG	•

Supplied accessories

Holder with magnet	•
Hook to open the ashtray	-
Ashtray	-