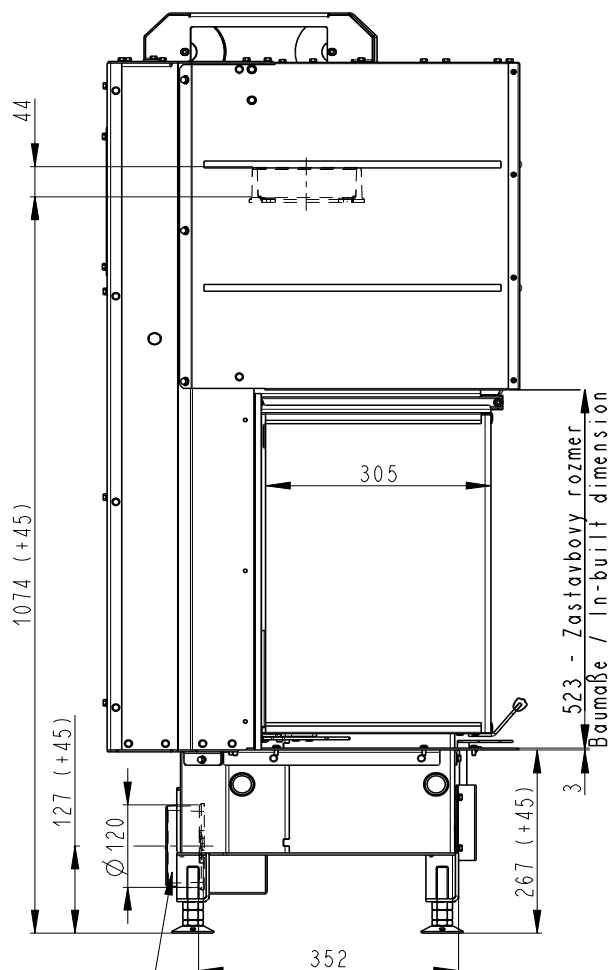
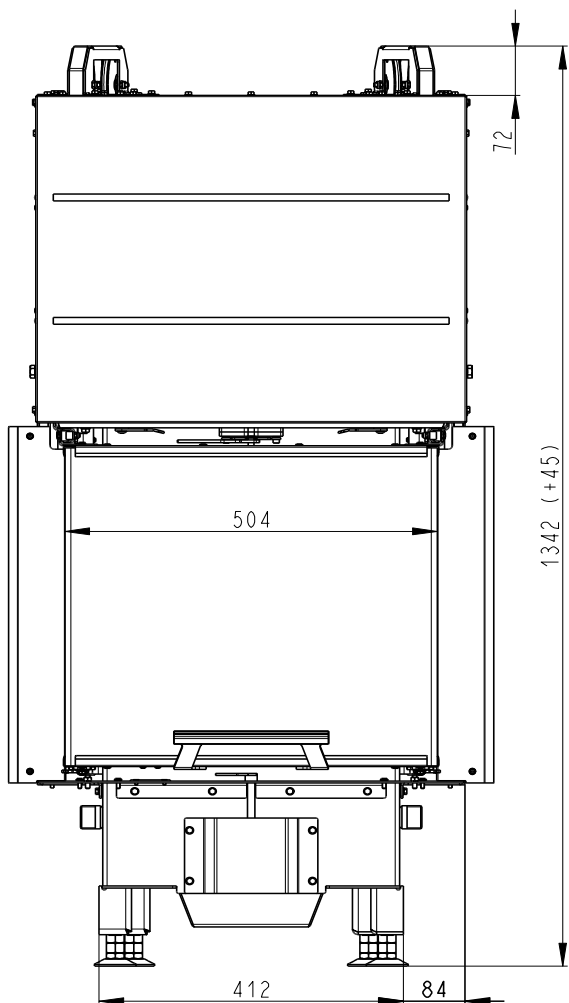
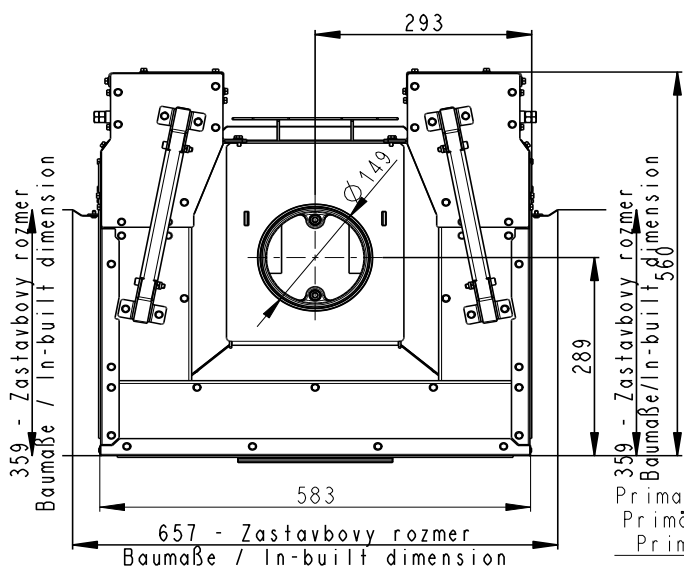


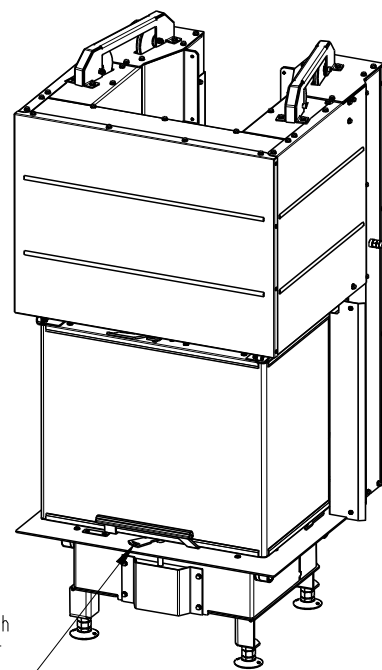
HEAT C 2g L 50.52.31.01 (21)



Centralni privod vzduchu
Central air inlet
Zentralluftzufuhr



Primarni a sekundarni vzduch
Primärluft und Sekundärluft
Primary and secondary air



Artikl	HC2LE 01 (21)
--------	---------------

General data

Nominal heat output	kW	5,7
Efficiency	%	82,10
Mass of the test fuel fired hourly	kg/h	1,6
Dry flue gases mass flow	g/s	4,9
Mean flue gas temperature	°C	234
Flue draught	Pa	10
Weight	kg	180
CO ₂	%	9,3

Recommended values

Reg.output	kW	2,9 – 7,4
Max. mass of the test fuel fired hourly	kg/h	3,51
Min. cross section of convect air inlet for nominal output	cm ²	900
Min. cross section of convect air outlet for nominal output	cm ²	1070
Combustion air requirement	m ³ /h	23,6
Flue gas connector diameter	mm	150

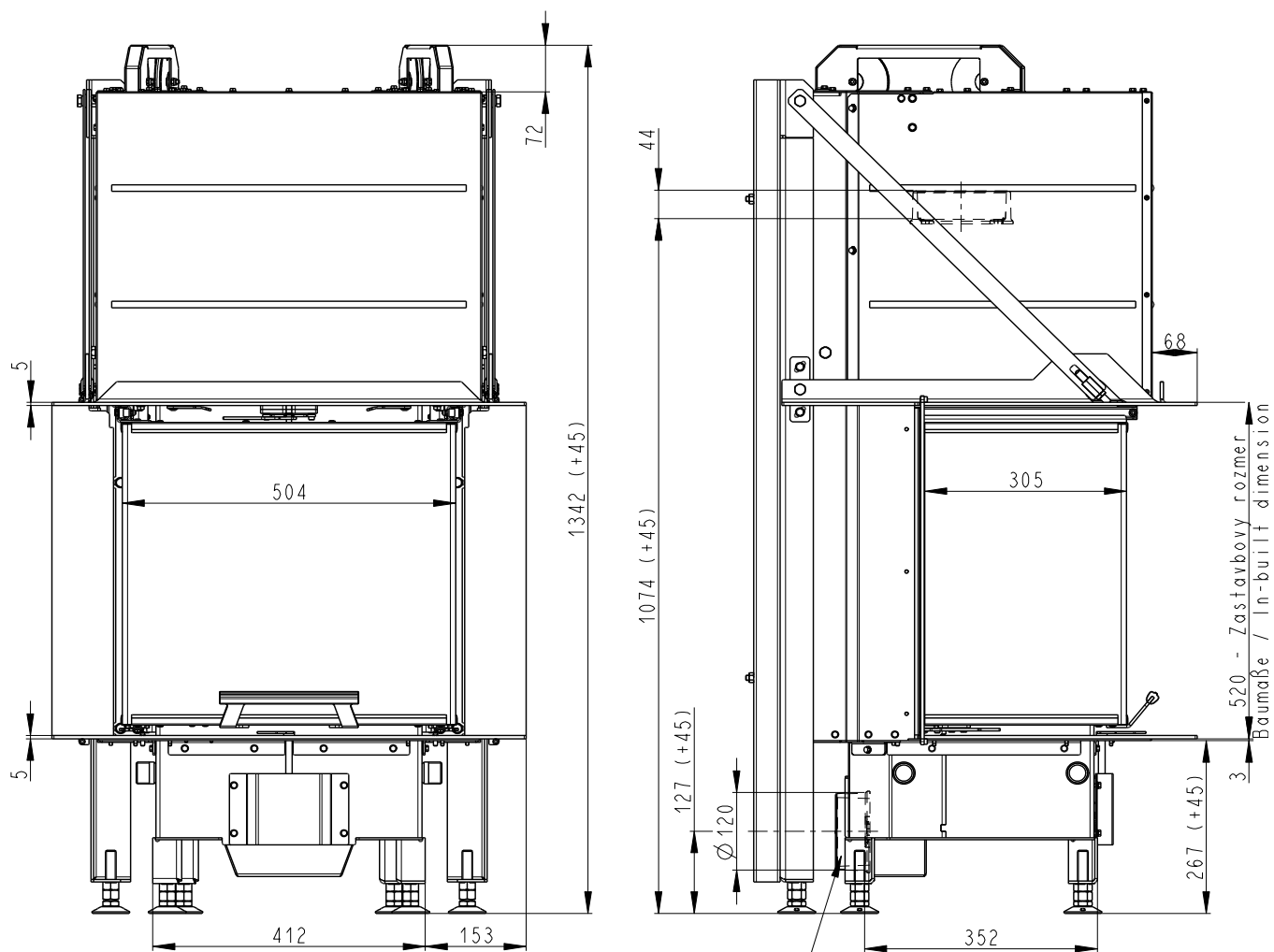
Meets requirement limit values for

EN 13 229	•
BImSch V 1	•
BImSch V 2	•
DIN plus	•
15a B-VG	•

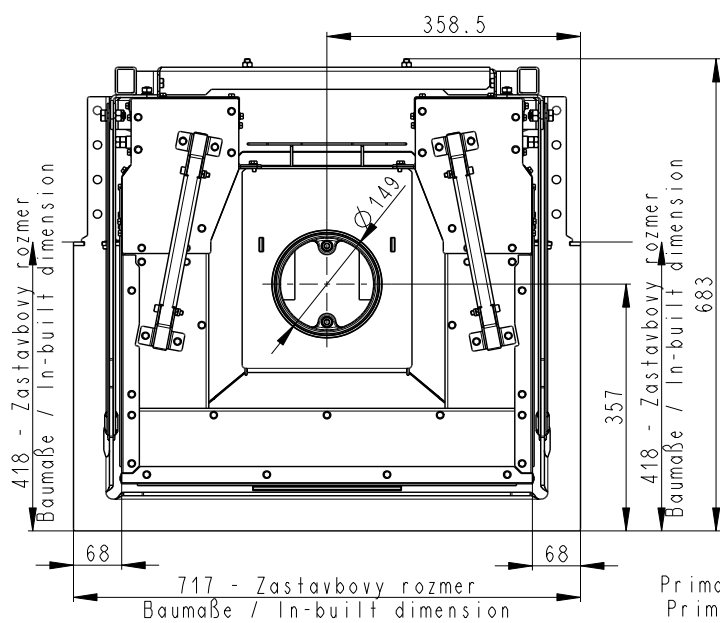
Supplied accessories

Holder with magnet	•
Hook to open the ashtray	-
Ashtray	-

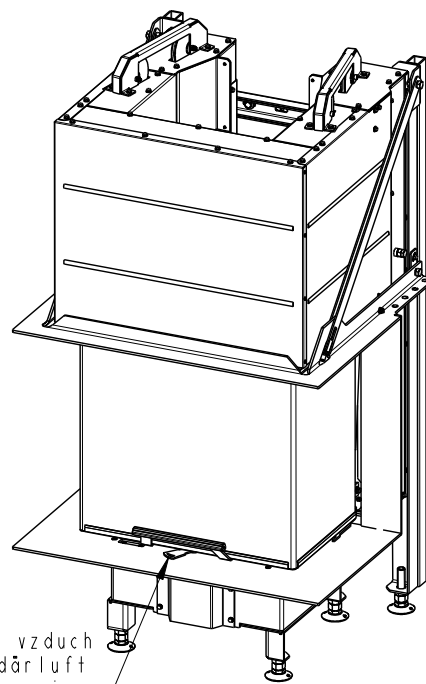
HEAT C 2g L 50.52.31.01 (21) K1



Centralni privod vzduchu
 Central air inlet
 Zentralluftzufuhr



Primarni a sekundarni vzduch
 Primärluft und Sekundärluft
 Primary and secondary air



Artikl	HC2LE 01 (21) K1
--------	------------------

General data

Nominal heat output	kW	5,7
Efficiency	%	82,10
Mass of the test fuel fired hourly	kg/h	1,6
Dry flue gases mass flow	g/s	4,9
Mean flue gas temperature	°C	234
Flue draught	Pa	10
Weight	kg	216
CO ₂	%	9,3

Recommended values

Reg.output	kW	2,9 – 7,4
Max. mass of the test fuel fired hourly	kg/h	3,51
Min. cross section of convect air inlet for nominal output	cm ²	900
Min. cross section of convect air outlet for nominal output	cm ²	1070
Combustion air requirement	m ³ /h	23,6
Flue gas connector diameter	mm	150

Meets requirement limit values for

EN 13 229	•
BImSch V 1	•
BImSch V 2	•
DIN plus	•
15a B-VG	•

Supplied accessories

Holder with magnet	•
Hook to open the ashtray	-
Ashtray	-